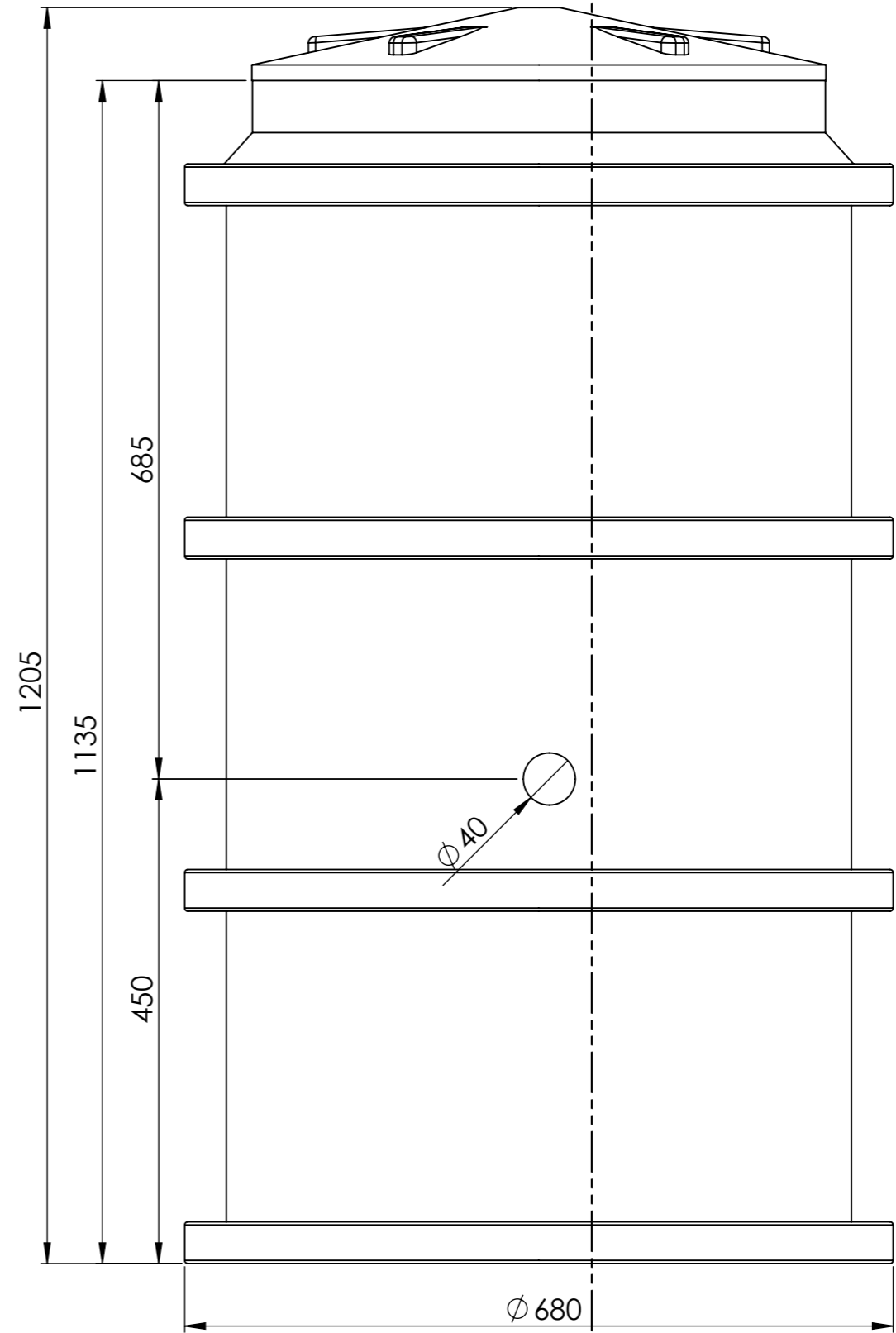



SECTION L-L
SCALE 1 : 6



UNLESS OTHERWISE SPECIFIED: DIMENSIONS ARE IN MILLIMETERS SURFACE FINISH: TOLERANCES: LINEAR: ANGULAR:				FINISH:		DEBUR AND BREAK SHARP EDGES		L DO NOT SCALE DRAWING		REVISION		
DRAWN	NAME	SIGNATURE	DATE					TITLE:				
CHK'D								DWG NO.				A3
APPV'D								Pedrollo Tritus/PKO 600 Skurvogsbrønd				
MFG								SCALE:1:20				SHEET 1 OF 1
Q.A								WEIGHT:				